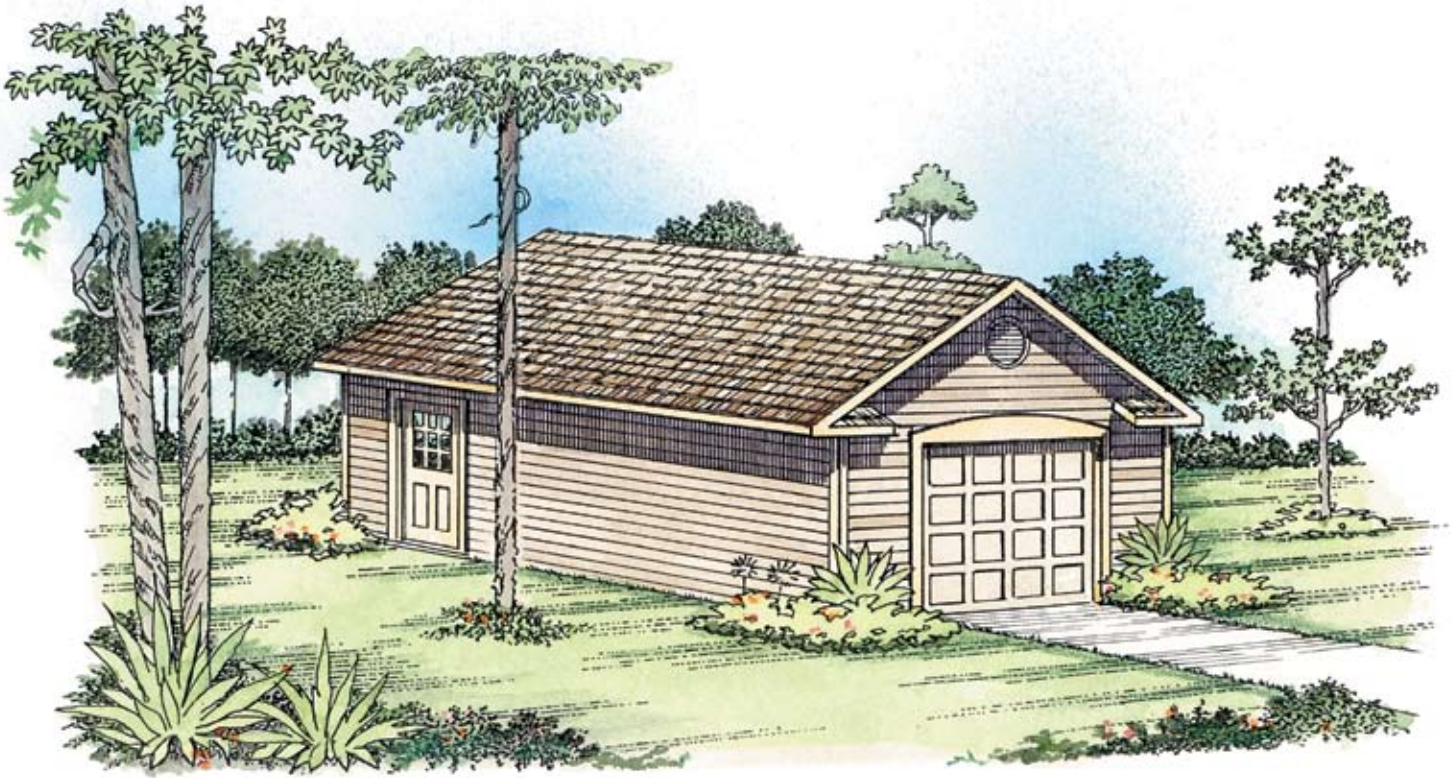


1 Car Garage 14' x 24'



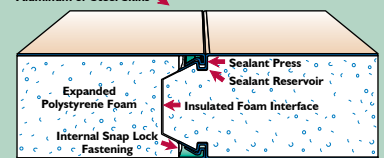
Structall offers a complete line of precut and preengineered garage packages utilizing structural insulated panel (SIP) technology. All packages erect quickly, are stronger than conventional framing, and are extremely energy efficient.

The high energy efficiency of Structall's patented Snap-N-Lock™ panel is due to the continuous foam interface design at the panel joint. The joint also allows for faster & easier installation - the male and female edges of the panel snap together quickly & easily.

Snap-N-Lock™ panel structures also withstand wind and storm damage better than conventionally built structures.

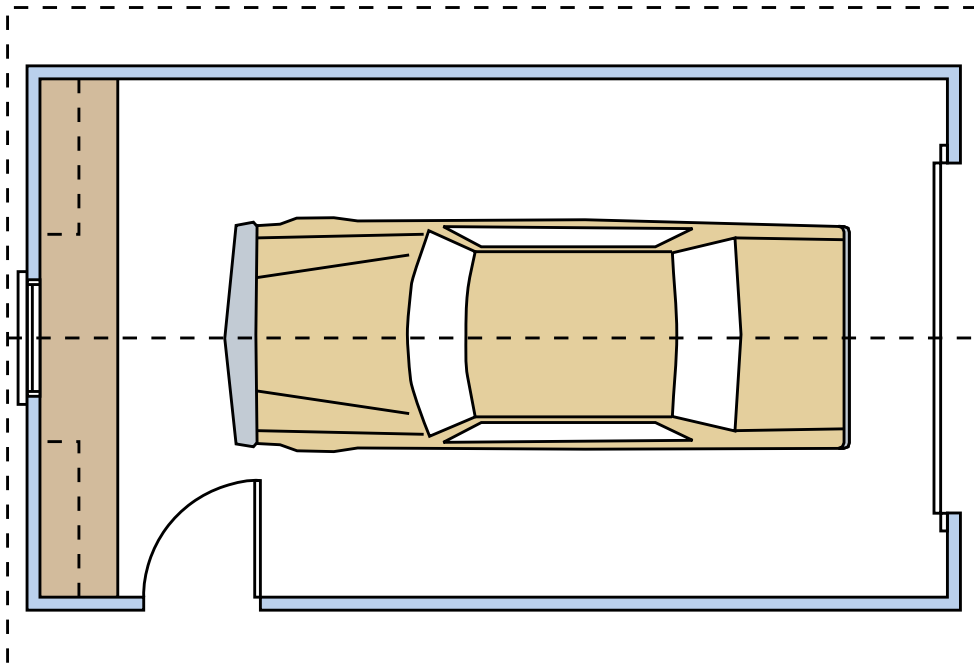
Snap-N-Lock™ Insulated Panel

Your Choice of Aluminum or Steel Skins



Patent No.'s 4,769,963 and 5,086,599

Metal Chemically Bonded to Foam



This small garage works well as both a standard garage, and a workshop for special projects year round. The built-in insulation of the Snap-N-Lock™ panel make it possible to economically heat or cool the structure for year all season use.

Plans and specifications are subject to change without notice. All dimensions are approximate.